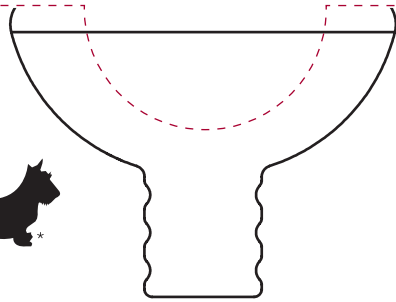


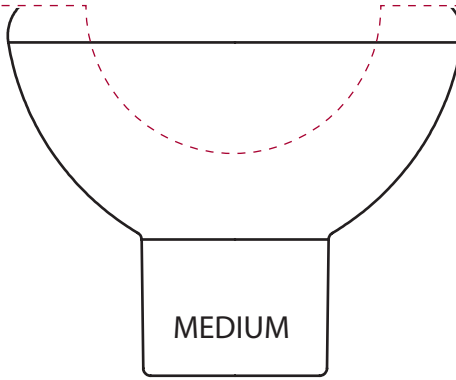
HOW TO USE: Print this template on letter paper, landscape. DO NOT SCALE. Print at 100% or disable page scaling. Cut along the dashed lines and remove inner shape. Insert your dog's nose and mouth into the front and side cut-outs to see which mask will fit best.

AeroDawg 

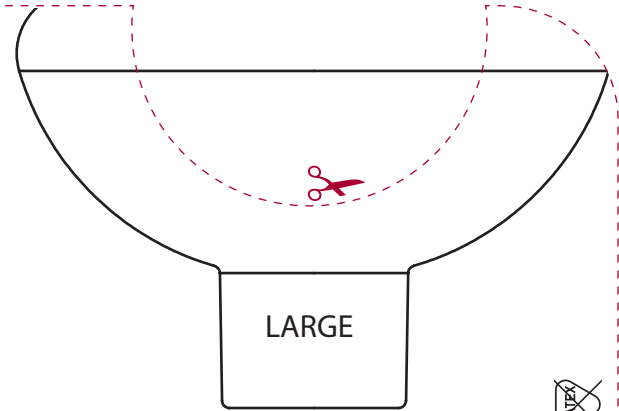
Canine Aerosol Chamber



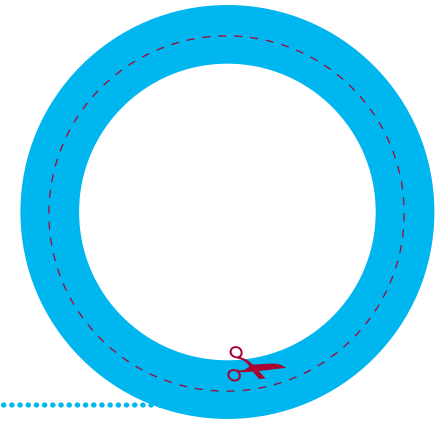
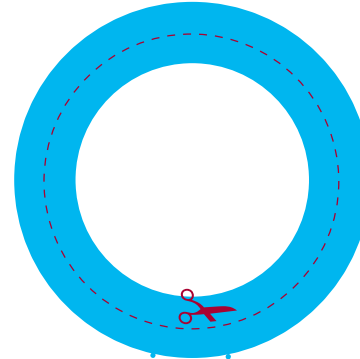
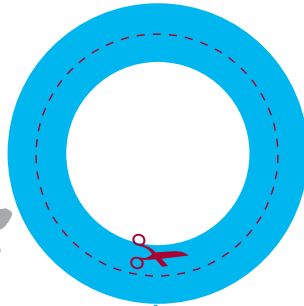
SMALL



MEDIUM



LARGE



Mask Sizer

Each device is shipped with 2 different sized masks.

AeroDawg* Chamber SMALL,
includes small and medium masks

AeroDawg* Chamber LARGE,
includes medium and large masks



How to Use

The mask selected should cover the nose and mouth. However, if not possible apply mask to the dog's nostrils while gently holding the muzzle closed.



Trudell Medical International[®]

www.aerodawg.com



MD-615A-1015 * trade-marks and registered trade-marks of Trudell Medical International. © TMI 2015. All rights reserved.